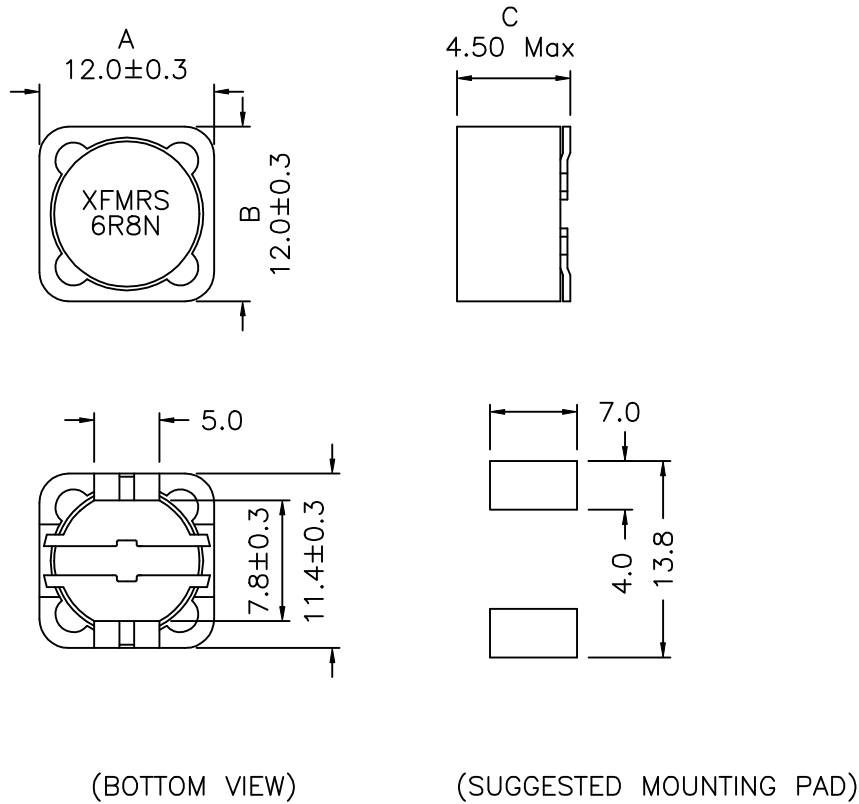
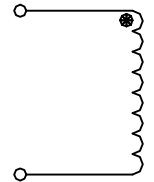


### 1. Mechanical Dimensions:



### 2. Schematic:



### 3. Electrical Specifications:@25°C

INDUCTANCE: 6.8uH±30% @100KHz 0.1V

DC RESISTANCE: 0.022 Ohms Max

CURRENT: 4.6 Adc Max

DOC REV A/1

<b>XFMRs Inc.</b> UNLESS OTHERWISE SPECIFIED TOLERANCES: TYPICAL Dimensions in MM	Title: XFTPRH1204 SERIES INDUCTORS		
	P/N: XFTPRH1204-6R8N		REV. A
	DWN.	廖玉坤	Jun-30-00
CHK.	李清儿	Jun-30-00	
APP.	Joe Huff	Jun-30-00	